

OKOLAB

IVF

Heating Devices

H401-T-CONTROLLER



H401-T-CONTROLLER is a 2-channel controller which can be employed to control up to two devices at the same time.

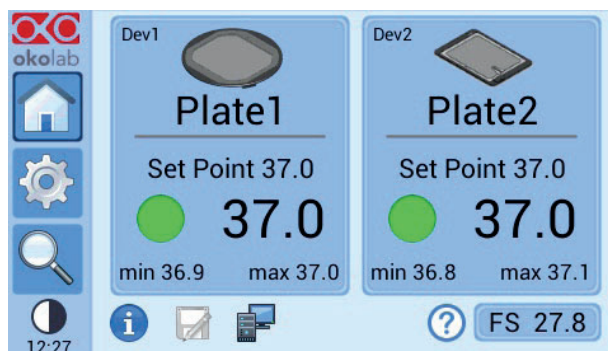
The devices are connected to the controller with fast connectors and can be easily replaced. The controller is equipped with a 4.3" Touch Screen and an intuitive software to offer accuracy and simplicity of use at the same time.

The external sensor allows to automatically and independently calibrate the devices by performing the self calibration routine.

A password protected procedure allows to calibrate the controller and the sensors for periodic maintenance.

The controller is equipped with local memory for on-board data logging and storage of calibration and alarms events.

GLASS PLATE CALIBRATION



The GLASS PLATE can be automatically calibrated by employing the external temperature sensor of the controller and by starting the self calibration routine from the touch screen.

The algorithm will progressively increase the temperature of the plate until the desired set point temperature is reached inside the calibration Petri.

FEATURES

- H401-T-CONTROLLER can control up to 2 devices
- Set point value from room temperature to 60°C
- T - accuracy on specimen: $\pm 0.3^{\circ}\text{C}$, after self calibration routine
- Intuitive 4.3" Touch Screen Display
- External k-type thermocouple for self calibration
- Independent calibration of the devices connected
- Start up protocol with tunable heating rate ($^{\circ}\text{C}/\text{min}$)
- On-board Data Logging / Download via mini-USB
- Alarm buzzer and External Alarm Connector
- Password protected procedure for periodic calibration against certified thermometer
- Dimensions: 103x130x59 mm

Temperature Controllers

FEATURES

H401-T-CONTROLLER can be connected to any of these devices (maximum two devices can be controlled at the same time):

- H601 GLASS PLATES series
- H401 GLASS PLATES series
- H401 METAL PLATES series
- H401 GLASS TABLE
- H401 T PAD series
- H401 STAGE T PAD (clamp on stage T-PAD)
- OBJECTIVE HEATER

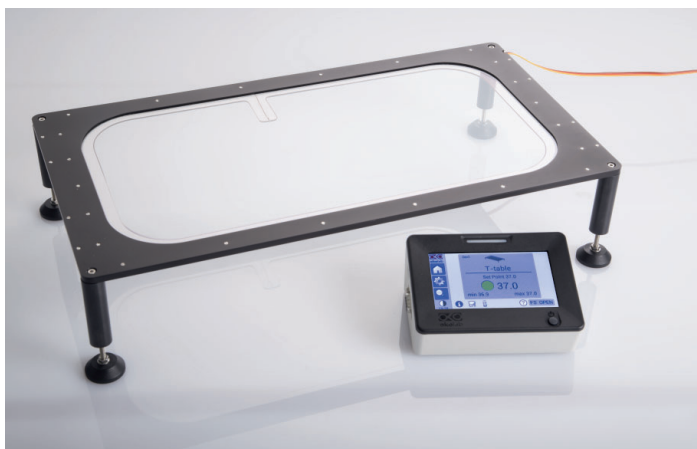
T-Controller:
Controls up to two devices

T-sensor for automatic plate calibration

On board memory for Data Logging with USB option



H401-Glass Table



T-PAD + Glass Plate



H401-T-PENNY



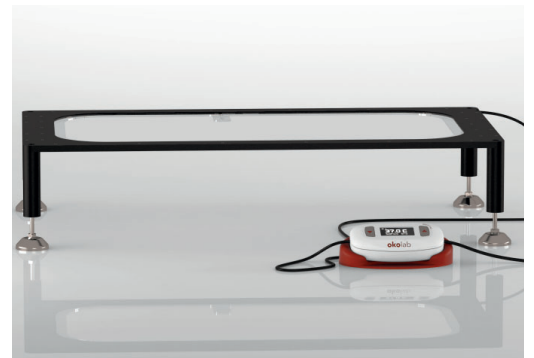
H401-T-PENNY is a compact single-channel Temperature Controller compatible with OKOLAB single-channel metal and glass heated plates and heated objective collars.

H401-T-PENNY combines performance and simplicity at an affordable price.

FEATURES

- Temperature range: from ambient to 60 °C
- T - accuracy on specimen: $\pm 0.3^{\circ}\text{C}$
- Single Channel
- One-Point Temperature Calibration and Adjustment
- Dim.: 84x45x20 mm
- Weight: 47.5 g

Penny+ Glass Table

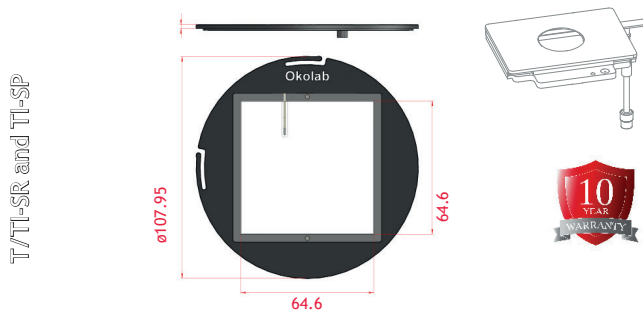


Penny+T PAD



Penny+T Glass Plate





H601-NIKON-TI-SR-GLASS/FRAME

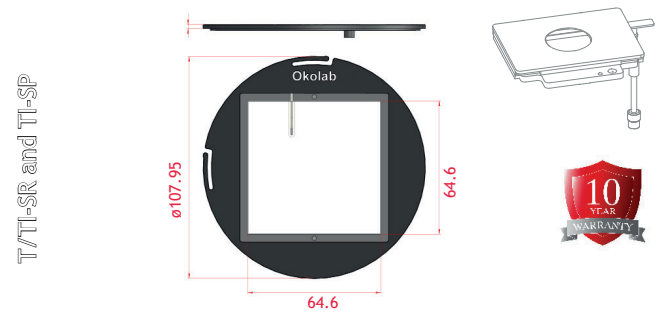
Warm ITO glass plate for Nikon stage T/TI-SR and TI-SP - Flat - 108 mm diameter - Heated Glass and Frame

Features:

- ITO (Iridium Tin Oxide) coated glass plate fits in the circular opening of the XY stage and creates a flat temperature controlled surface, flush with the rest of the XY stage.
- Dragontrail®: Chemically strengthened, scratch resistant, glass.
- Heated aluminum frame: Provides the highest temperature uniformity by warming up both, the ITO coated glass and the surrounding aluminum circular case.
- Glass thickness 0.5 mm
- Plate diameter 108mm

Requires one of the following controllers:

- H401-T-CONTROLLER (one channel controls the glass and the other channel controls the aluminum case) - suggested controller.



H601-NIKON-TI-SR-GLASS

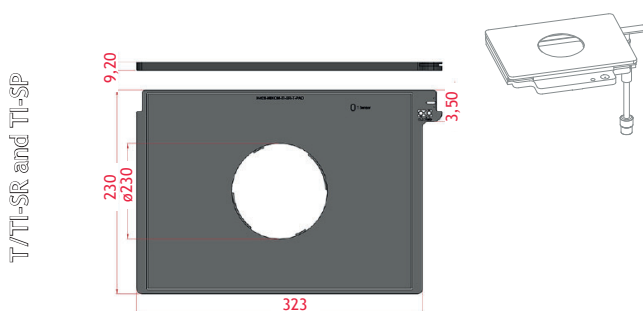
Warm ITO glass plate for Nikon stage T/TI-SR and TI-SP - Flat - 108 mm diameter

Features:

- ITO (Iridium Tin Oxide) coated glass plate. Fits in the circular opening of the XY stage and creates a flat temperature controlled surface, flush with the rest of the XY stage.
- Dragontrail®: Chemically strengthened, scratch resistant, glass.
- Glass thickness 0.5 mm
- Plate diameter 108mm

Requires one of the following controllers:

- H401-T-CONTROLLER
- H401-T-PENNY



H401-NIKON-TI-SR-T-PAD

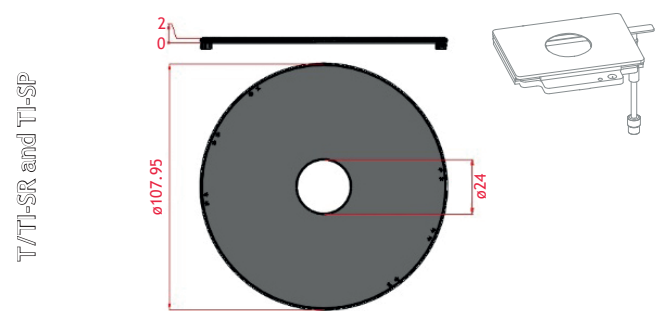
Heated Flat Plate for Nikon stage T/TI-SR with circular opening

Features:

- The plate clumps on the stage and provides a heated flat surface throughout the entire surface of the stage
- Does not cover the circular opening
- Compatible with H401-NIKON-TI-SR-METAL and H601-NIKON-TI-SR-GLASS
- Raises the focal of the XY stage by: 2.5 mm
- Flat surface throughout the stage
- Compatible with glass and metal heating inserts

Requires one of the following controllers:

- H401-T-CONTROLLER. Required controller when in combination with H401-NIKON-TI-SR-METAL or H601-NIKON-TI-SR-GLASS
- H401-PENNY



H401-NIKON-TI-SR-METAL

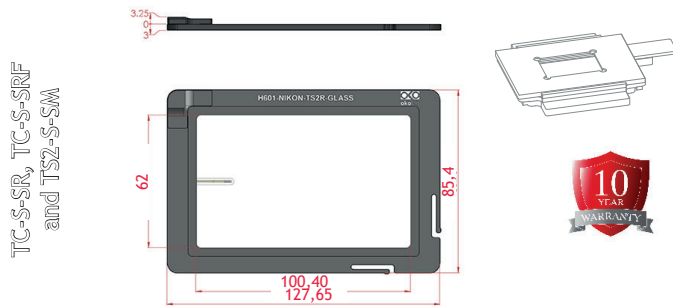
Warm metal plate for Nikon stage T/TI-SR and TI-SP with circular opening - Flat - 108 mm diameter

Features:

- Fits in the circular opening of the XY stage and creates a flat temperature controlled surface, flush with the rest of the XY stage
- Trimmed 24 mm diameter circular observation opening for imaging
- Compatible with oil immersion lenses
- Plate diameter 108mm

Requires one of the following controllers:

- H401-T-CONTROLLER
- H401-PENNY



H601-NIKON-TS2R-GLASS

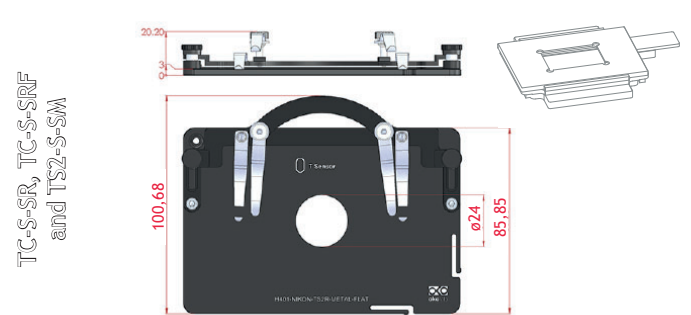
Warm ITO glass plate for Nikon stages TC-S-SR, TC-S-SRF and TS2-S-SM

Features:

- ITO (Iridium Tin Oxide) coated glass plate. Fits in the opening of the XY stage and creates a flat temperature controlled surface, flush with the rest of the XY stage Aluminium frame for superior resistance and flatness
- Dragontrail®: Chemically strengthened, scratch resistant, glass.
- Aluminium frame for superior resistance and flatness
- Glass thickness 0.5 mm

Requires one of the following controllers:

- H401-T-CONTROLLER
- H401-T-PENNY



H401-NIKON-TS2R-METAL

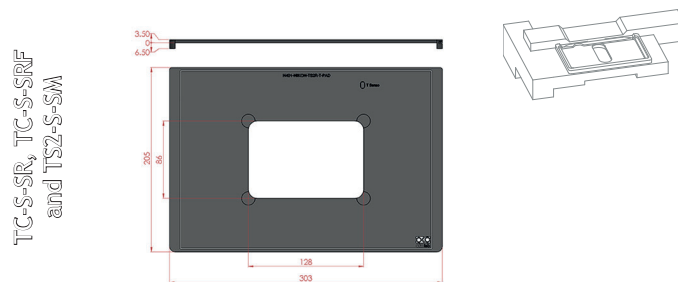
Warm metal plate for Nikon stages TC-S-SR, TC-S-SRF and TS2-S-SM

Features:

- This metal plate fits in the opening of the XY stage and creates a flat temperature controlled surface at the same height as the rest of the XY stage
- Trimmed 24 mm diameter circular observation opening for imaging
- Compatible with oil immersion lenses

Requires one of the following controllers:

- H401-T-CONTROLLER
- H401-PENNY



H401-NIKON-TS2R-T-PAD

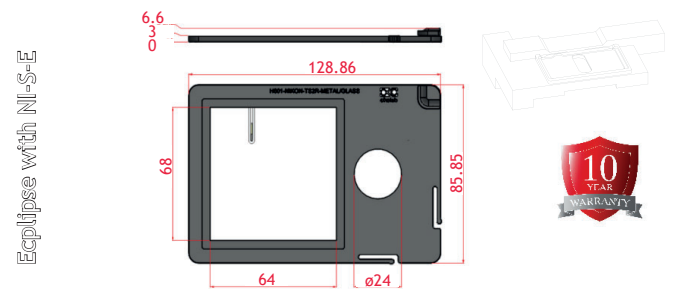
Heated Flat Plate for Nikon stage TS2(R)

Features:

- The plate clumps on the Nikon stages TC-S-SR, TC-S-SRF and TS2-S-SM and provides uniform heating throughout the entire surface of the stage
- Does not cover the TS2R opening
- Compatible with H601-NIKON-TS2R-GLASS and H401-NIKON-TS2R-METAL
- This plate rises the focal of the XY stage by: 5 mm
- Flat surface throughout the stage
- Compatible with glass and metal heating inserts

Requires one of the following controllers:

- H401-T-CONTROLLER. Required controller when in combination with H401-NIKON-TS2R-METAL or H601-NIKON-TS2R-GLASS
- H401-PENNY



H601-NIKON-TS2R-METAL/GLASS

Warm metal and ITO glass plate for Nikon stage TS2(R)

Features:

- Fits in the opening of the TS2(R) stage and creates a flat temperature controlled surface
- Dragontrail®: Chemically strengthened, scratch resistant, glass.
- Trimmed 24mm diameter circular observation opening for imaging in the metal side of the plate
- Compatible with oil immersion lenses
- Metal and glass sides have independent temperature control

Requires one of the following controllers:

- H401-T-CONTROLLER (one channel controls the glass side and the other channel controls the aluminum side)



H601-K-FRAME -GLASS-FLAT

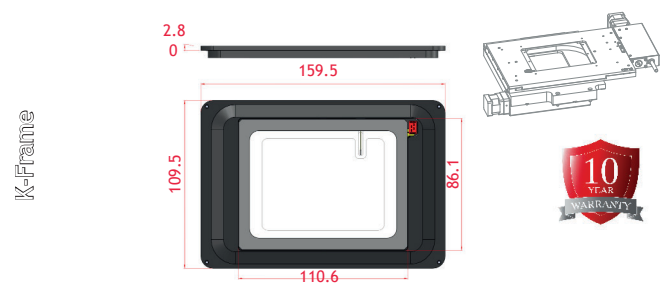
Warm ITO glass plate for Marzhauser (all models), Ludl (all models), ASI (all models, including z-piezo), Prior H107 and H117

Features:

- Compatible with the following XY stages: Marzhauser (all models), Ludl (all models), ASI (all models, including z-piezo), Prior H107 and H117
- ITO (Iridium Tin Oxide) coated glass plate. Fits in the opening of the XY stage and creates a flat temperature controlled surface rising the focal plane by 7.5 mm (10 mm for Prior H117)
- Dragontrail®: Chemically strengthened, scratch resistant, glass.
- Aluminium frame for superior resistance and flatness
- Glass thickness 0.5 mm

Requires one of the following controllers:

- H401-T-CONTROLLER
- H401-T-PENNY



H601-K-FRAME-GLASS-RECESSED

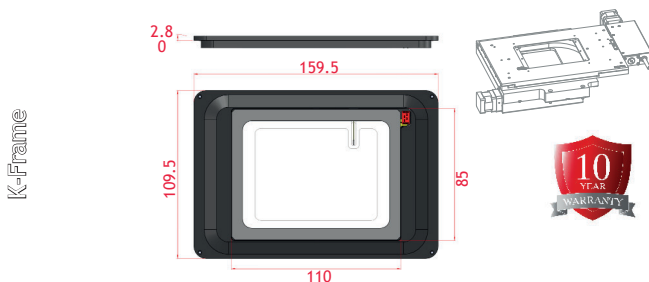
Warm metal plate for Marzhauser (all models), Ludl (all models), ASI (all models, including z-piezo), Prior H107

Features:

- Compatible with the following XY stages: Marzhauser (all models), Ludl (all models), ASI (all models, including z-piezo), Prior H107
- ITO (Iridium Tin Oxide) coated glass plate. Fits in the opening of the XY stage and creates a surface recessed by 6 mm with respect to the rest of the XY stage rising the focal plane by 1.5 mm
- Dragontrail®: Chemically strengthened, scratch resistant, glass
- Aluminium frame for superior resistance and flatness
- Glass thickness 0.5 mm

Requires one of the following controllers:

- H401-T-CONTROLLER
- H401-T-PENNY



H601-PRIOR H117-GLASS-RECESSED

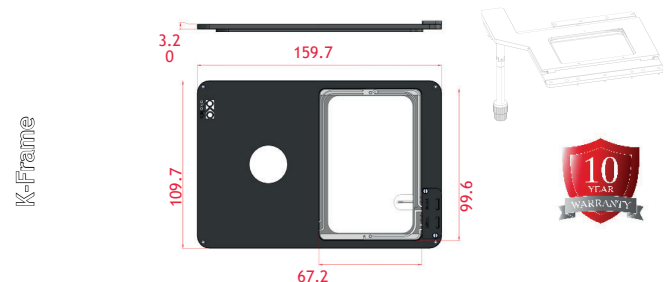
Warm ITO glass plate for Prior H117 stage

Features:

- Compatible with Prior H117 stage
- ITO (Iridium Tin Oxide) coated glass plate. Fits in the opening of the XY stage and creates a surface recessed by 8.5 mm with respect to the rest of the XY stage rising the focal plane by 1.5 mm
- Dragontrail®: Chemically strengthened, scratch resistant, glass
- Aluminium frame for superior resistance and flatness
- Glass thickness 0.5 mm

Requires one of the following controllers:

- H401-T-CONTROLLER
- H401-T-PENNY



H601-K-FRAME-ME TAL/GLASS

Warm metal and ITO glass plate for Marzhauser (all models), Ludl (all models), ASI (all models, including z-piezo), Prior H107 and H117

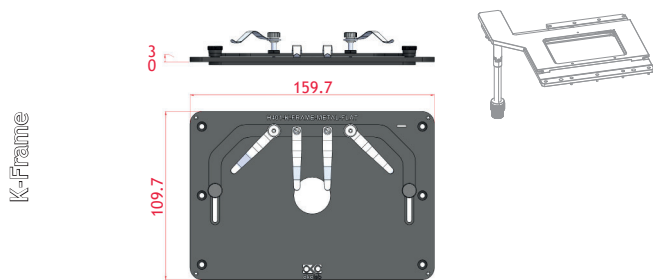
Features:

- Compatible with the following XY stages: Marzhauser (all models), Ludl (all models), ASI (all models, including z-piezo), Prior H107 and H117
- Fits in the opening of the XY stage and creates a flat temperature controlled surface rising the focal plane by 7.5 mm (10 mm for Prior H117)
- Glass thickness 0.5 mm
- Dragontrail®: Chemically strengthened, scratch resistant, glass
- Trimmed 24 mm diameter circular observation opening for imaging
- Compatible with oil immersion lenses
- Metal and glass sides have independent temperature sensors for independent temperature control of each side

Requires one of the following controllers:

- H401-T-CONTROLLER (one controller controls the glass the other controls the aluminium)
- H401-T-PENNY

Nikon - K-Frame opening



H401-K-FRAME-METAL-FLAT

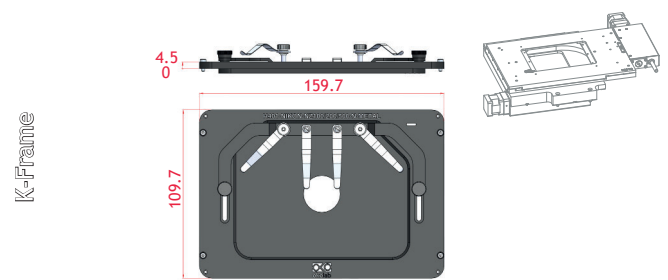
Warm metal plate for Marzhauser (all models), Ludl (all models), ASI (all models, including z-piezo), Prior H107 and H117

Features:

- Compatible with the following XY stages: Marzhauser (all models), Ludl (all models), ASI (all models, including z-piezo), Prior H107 and H117
- Fits in the opening of the XY stage and creates a flat temperature controlled surface at the same height of the rest of the XY stage
- Trimmed 24 mm diameter circular observation opening for imaging
- Compatible with oil immersion lenses

Requires one of the following controllers:

- H401-T-CONTROLLER
- H401-PENNY



H401-K-FRAME-METAL-RECESSED

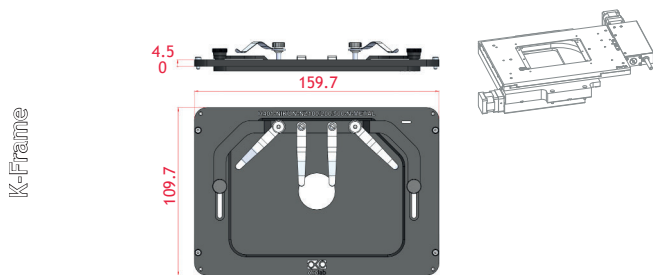
Warm metal plate for Marzhauser (all models), Ludl (all models), ASI (all models, including z-piezo), Prior H107

Features:

- Compatible with the following XY stages: Marzhauser (all models), Ludl (all models), ASI (all models, including z-piezo), Prior H107
- Fits in the opening of the XY stage and creates a temperature controlled surface recessed with respect to the rest of the stage to maintain the original focal plane of the XY stage
- Trimmed 24 mm diameter circular observation opening for imaging
- Compatible with oil immersion lenses

Requires one of the following controllers:

- H401-T-CONTROLLER
- H401-PENNY



H401-PRIOR H117-METAL-RECESSED

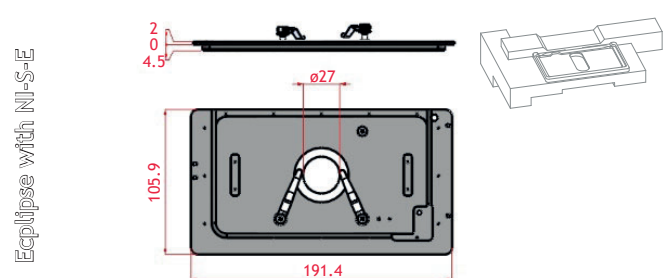
Warm metal plate for Prior H117 stage

Features:

- Compatible with Prior H117 stage
- Fits in the opening of the XY stage and creates a temperature controlled surface recessed with respect to the rest of the stage to maintain the original focal plane of the XY stage
- Trimmed 24 mm diameter circular observation opening for imaging
- Compatible with oil immersion lenses

Requires one of the following controllers:

- H401-T-CONTROLLER
- H401-PENNY



H401-NIKON-NI-S-E-METAL

Warm metal plate for Nikon upright microscope Eclipse with NI-S-E-motorized stage

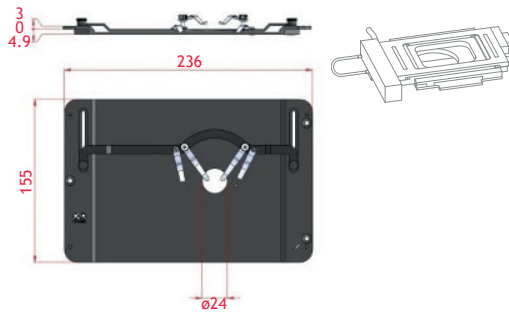
Features:

- Fits in the insert of the NI-S-E-motorized stage and creates a flat temperature controlled surface
- Features a trimmed 27 mm diameter circular observation opening for imaging

Requires one of the following controllers:

- H401-T-CONTROLLER
- H401-PENNY

TI-S-E, TI-S-ER, TI2-S-SE-E
and TI2-S-SS-E



H401-NIKON-TI-S-ER-METAL

Warm metal plate for Nikon stages TI-S-E, TI-S-ER, TI2-S-SE-E and TI2-S-SS-E

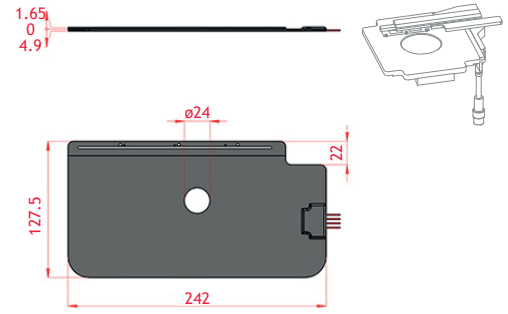
Features:

- Compatible with the following XY stages: Nikon TI-S-E, TI-S-ER, TI2-S-SE-E and TI2-S-SS-E
- Fits in the opening of the XY stage and creates a temperature controlled surface recessed with respect to the rest of the stage to maintain the original focal plane of the XY stage
- Trimmed 24 mm diameter circular observation opening for imaging
- Compatible with oil immersion lenses

Requires one of the following controllers:

- H401-T-CONTROLLER
- H401-PENNY

TI-S-E, TI-S-ER, TI2-S-SE-E
and TI2-S-SS-E



H401-NIKON-TI-SAM-METAL

Warm metal plate for Nikon TI-SAM, T-SAM, TI-SM attachable mechanical stage

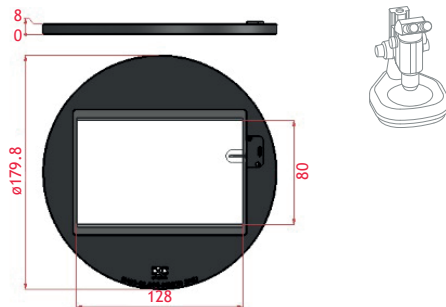
Features:

- Compatible with the following XY stages: Nikon T/TI-SP+T/TI-SAM and TI-SM
- Fits in XY stage and creates a temperature controlled surface recessed with respect to the rest of the stage to maintain the original focal plane of the XY stage
- Trimmed 24 mm diameter circular observation opening for imaging
- Compatible with oil immersion lenses

Requires one of the following controllers:

- H401-T-CONTROLLER
- H401-PENNY

SMZ



H401-NIKON-SMZ-180-GLASS

Warm ITO glass plate for Nikon stereo microscope SMZ

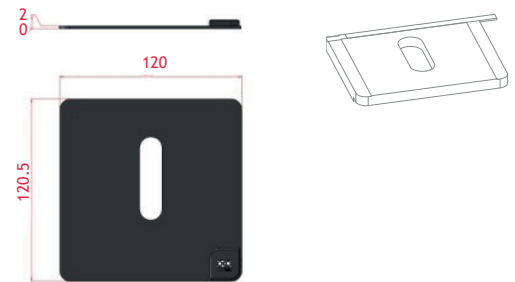
Features:

- Compatible with the following stereo microscope series: Nikon SMZ
- ITO (Iridium Tin Oxide) coated glass plate. Fits in the circular 180 mm opening of the stereo microscope and creates a flat warm surface
- Aluminium frame for superior resistance and flatness
- Glass thickness 2 mm. Plate diameter 180mm

Requires one of the following controllers:

- H401-T-CONTROLLER
- H401-PENNY

UPRIGHT



H401-UP-METAL

Warm metal plate for upright microscopes with glass slide translators

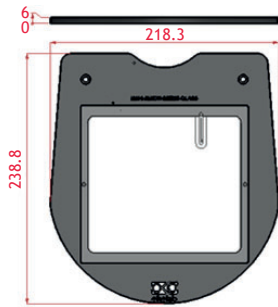
Features:

- Compatible with all the upright microscopes equipped with glass slide translators
- Creates a heated surface under the glass slide translator
- Features a 40x15 mm rectangular opening for imaging

Requires one of the following controllers:

- H401-T-CONTROLLER
- H401-PENNY

P2-PB, P2-DBC, P2-DBF,
P-PS32, P-DSL32 and
P-DSF32



H401-NIKON-SMZ25-GLASS

Warm ITO glass plate
for Nikon stereo microscope SMZ

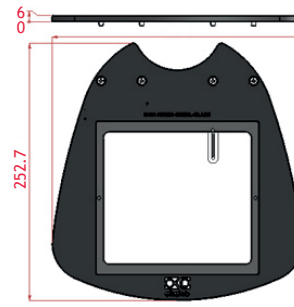
Features:

- Compatible with the following stereo microscope's stand: P2-PB, P2-DBC, P2-DBF, P-PS32, P-DSL32 and P-DSF32
- ITO (Iridium Tin Oxide) coated glass. Covers the entire stand and creates a flat heated surface
- Aluminium frame for superior resistance and flatness
- Glass thickness 1 mm

Requires one of the following controllers:

- H401-T-CONTROLLER
- H401-PENNY

C-DSD, C-DSS, C-BD



H401-NIKON-SMZSL-GLASS

Warm ITO glass plate
for Nikon stereo microscope SMZ 1500/1000/800

Features:

- Compatible with the following stereo microscope's stand: C-DSD, C-DSS, C-BD
- ITO (Iridium Tin Oxide) coated glass plate. Covers the entire stand and creates a flat heated surface
- Aluminium frame for superior resistance and flatness
- Glass thickness 1 mm

Requires one of the following controllers:

- H401-T-CONTROLLER
- H401-PENNY

C-DS, C-PS



H401-NIKON-SMZSS-GLASS

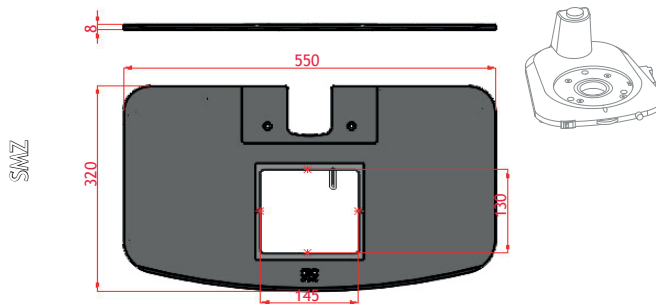
Warm ITO glass plate for Nikon stereo microscope SMZ 1500/1000/800

Features:

- Compatible with the following stereo microscope stand: C-DS, C-PS
- ITO (Iridium Tin Oxide) coated glass plate. Covers the entire stand and creates a flat warm surface
- Aluminium frame for superior resistance and flatness
- Glass thickness 1 mm

Requires one of the following controllers:

- H401-T-CONTROLLER
- H401-PENNY



H401-NIKON-SMZ25-GLOSS/METAL

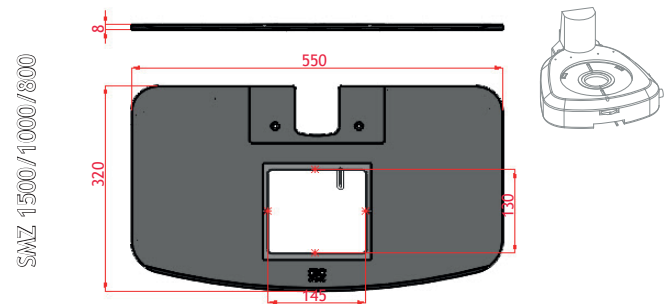
Large metal heating plate with central heating glass Nikon for stereo microscope SMZ

Features:

- Compatible with the following stereo microscope's stand: P2-PB, P2-DBC, P2-DBF, P-PS32, P-DSL32 and P-DSF32
- Large flat heating surface covering the entire stereo microscope stand
- Metal and glass surfaces can be independently heated to different temperatures
- Glass thickness: 1 mm

Requires one of the following controllers:

- H401-T-CONTROLLER uses both channels



H401-NIKON-SMZSL-GLOSS/METAL

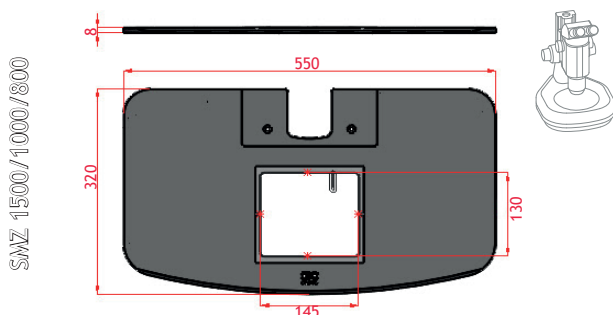
Large metal heating plate with central heating glass for Nikon stereo microscope SMZ 1500/1000/800

Features:

- Compatible with the following stereo microscope's stand: C-DSD, C-DSS, C-BD
- Large flat heating surface covering the entire stereo microscope stand
- Metal and glass surfaces can be independently heated to different temperatures
- Glass thickness: 1 mm

Requires one of the following controllers:

- H401-T-CONTROLLER uses both channels



H401-NIKON-SMZSS-GLOSS/METAL

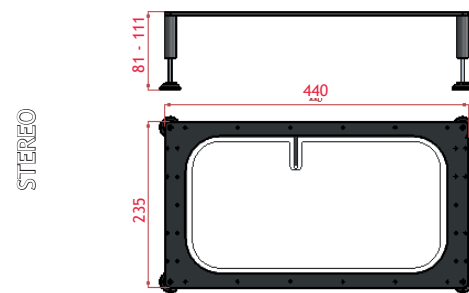
Large metal heating plate with central heating glass for Nikon stereo microscope SMZ 1500/1000/800

Features:

- Compatible with the following stereo microscope's stand: C-DS, C-PS
- Large flat heating surface covering the entire stereo microscope stand
- Metal and glass surfaces can be independently heated to different temperatures
- Glass thickness: 1 mm

Requires one of the following controllers:

- H401-T-CONTROLLER uses both channels



H401-GLASS-TABLE

Heated Flat Glass Table
- (440x235 mm)

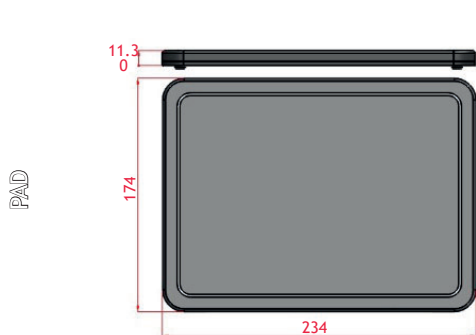
Features:

- Can be positioned on any surface (Table Top, Cabinet work surface, etc) to create a temperature controlled area
- Temperature range: 27°C - 45°C

Requires one of the following controllers:

- H401-T-CONTROLLER
- H401-PENNY

Nikon - T-Pads



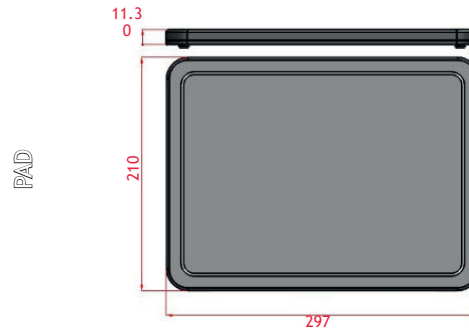
H401-T-PAD-SMALL
Heated Flat Metal Plate
(174x234 mm)

Features:

- Can be positioned on any surface (Table Top, Cabinet work surface, etc) to create a temperature controlled area
- Temperature range: 27°C - 45°C

Requires one of the following controllers:

- H401-T-CONTROLLER
- H401-PENNY



H401-T-PAD-MEDIUM

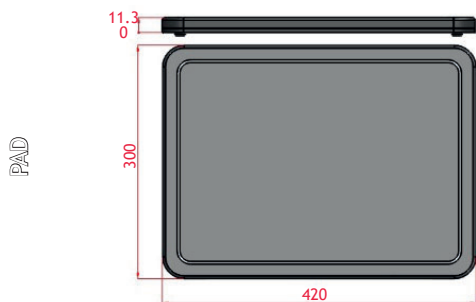
Heated Flat Metal Plate - size A4 (297x210 mm)

Features:

- Can be positioned on any surface (Table Top, Cabinet work surface, etc) to create a temperature controlled area
- Temperature range: 27°C - 45°C

Requires one of the following controllers:

- H401-T-CONTROLLER
- H401-PENNY



H401-T-PAD-LARGE

Heated Flat Metal Plate -
size A3 (420x300 mm)

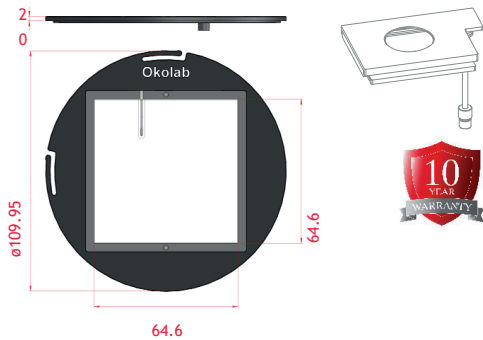
Features:

- Can be positioned on any surface (Table Top, Cabinet work surface, etc) to create a temperature controlled area
- Temperature range: 27°C - 45°C

Requires one of the following controllers:

- H401-T-CONTROLLER
- H401-PENNY

IX-SUSP, GX-SVR, GX-SFR, BX3-SSU, IX2-SFR, IX2-SVL-2



H601-OLYMPUS-IX-SUSP-GLASS/FRAME

Warm ITO glass plate for Olympus stages with circular opening
Flat - 110 mm diameter - Heated Glass and frame

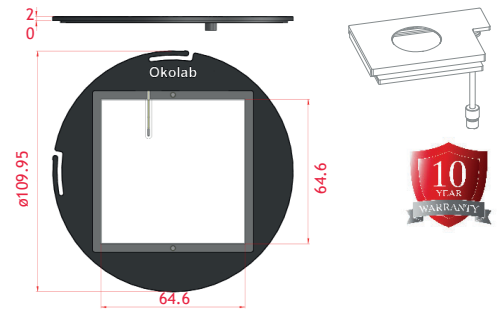
Features:

- ITO (Iridium Tin Oxide) coated glass plate. Fits in the circular opening of the XY stage and creates a flat temperature controlled surface, flush with the rest of the XY stage
- Dragontrail®: Chemically strengthened, scratch resistant, glass.
- Heated aluminum frame: Provides the highest temperature uniformity by warming up both, the ITO coated glass and the surrounding aluminum circular case.
- Glass thickness 0.5 mm
- Plate diameter 110mm

Requires one of the following controllers:

- H401-T-CONTROLLER (one channel controls the glass and the other channel controls the aluminum case) - suggested controller.

IX-SUSP, GX-SVR, GX-SFR, BX3-SSU, IX2-SFR, IX2-SVL-2



H601-OLYMPUS-IX-SUSP-GLASS

Warm ITO glass plate for Olympus stages with circular opening
Flat - 110 mm diameter

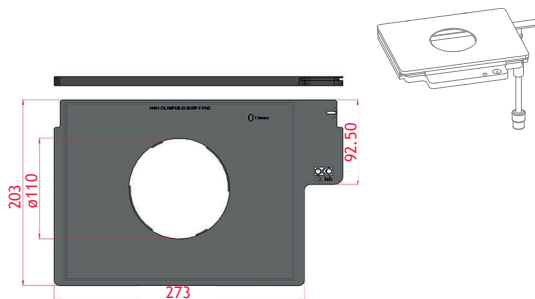
Features:

- ITO (Iridium Tin Oxide) coated glass plate. Fits in the circular opening of the XY stage and creates a flat temperature controlled surface, flush with the rest of the XY stage
- Dragontrail®: Chemically strengthened, scratch resistant, glass.
- Glass thickness 0.5 mm
- Plate diameter 110mm

Requires one of the following controllers:

- H401-T-CONTROLLER
- H401-T-PENNY

T/TI-SR and TI-SP



H401-OLYMPUS-IX-SUSP-T-PAD - FULL STAGE HEATER

Heated Flat Plate for GX-SFR and IX2-SFR Olympus stages with circular opening

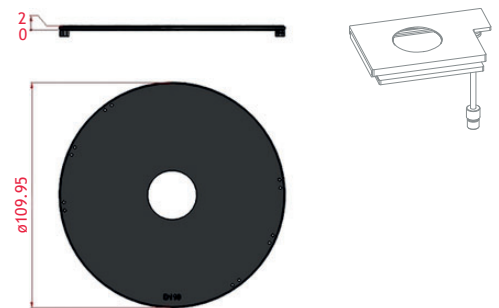
Features:

- The plate clumps on the stage and provides a heated flat surface throughout the entire surface of the stage
- Does not cover the circular opening
- Compatible with GX-SFR and IX2-SFR Olympus stages and IX2-SFR Olympus
- Raises the focal of the XY stage by: 2.5 mm
- Flat surface throughout the stage
- Compatible with H401-OLYMPUS-IX-SUSP-METAL and H601-OLYMPUS-IX-SUSP-GLASS

Requires one of the following controllers:

- H401-T-CONTROLLER. Required controller when in combination with H401-OLYMPUS-IX-SUSP-METAL or H601-OLYMPUS-IX-SUSP-GLASS
- H401-PENNY

IX-SUSP, GX-SVR, GX-SFR, BX3-SSU, IX2-SFR, IX2-SVL-2



H401-OLYMPUS-IX-SUSP-METAL

Warm metal plate for Olympus stages with circular opening
Flat - 110 mm diameter

Features:

- Fits in the circular opening of the XY stage and creates a flat temperature controlled surface, flush with the rest of the XY stage
- Trimmed 24 mm diameter circular observation opening for imaging
- Compatible with oil immersion lenses
- Plate diameter 110mm

Requires one of the following controllers:

- H401-T-CONTROLLER
- H401-PENNY

Olympus - K-Frame opening



H601-K-FRAME-GLASS-FLAT

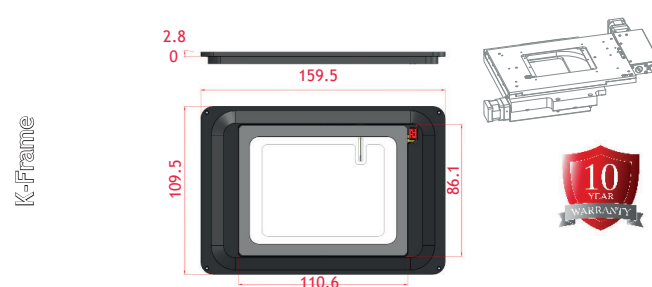
Warm ITO glass plate for Marzhauser (all models), Ludl (all models), ASI (all models, including z-piezo), Prior H107 and H117

Features:

- Compatible with the following XY stages: Marzhauser (all models), Ludl (all models), ASI (all models, including z-piezo), Prior H107 and H117
- ITO (Iridium Tin Oxide) coated glass plate. Fits in the opening of the XY stage and creates a flat temperature controlled surface rising the focal plane by 7.5 mm (10 mm for Prior H117)
- Dragontrail®: Chemically strengthened, scratch resistant, glass.
- Aluminium frame for superior resistance and flatness
- Glass thickness 0.5 mm

Requires one of the following controllers:

- H401-T-CONTROLLER
- H401-T-PENNY



H601-K-FRAME-GLASS-RECESSED

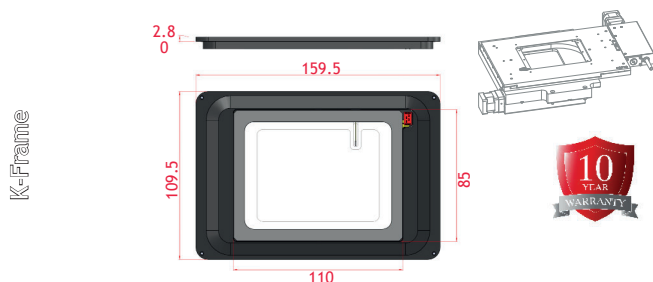
Warm metal plate for Marzhauser (all models), Ludl (all models), ASI (all models, including z-piezo), Prior H107

Features:

- Compatible with the following XY stages: Marzhauser (all models), Ludl (all models), ASI (all models, including z-piezo), Prior H107
- ITO (Iridium Tin Oxide) coated glass plate. Fits in the opening of the XY stage and creates a surface recessed by 6 mm with respect to the rest of the XY stage rising the focal plane by 1.5 mm
- Dragontrail®: Chemically strengthened, scratch resistant, glass
- Aluminium frame for superior resistance and flatness
- Glass thickness 0.5 mm

Requires one of the following controllers:

- H401-T-CONTROLLER
- H401-T-PENNY



H601-PRIOR H117-GLASS-RECESSED

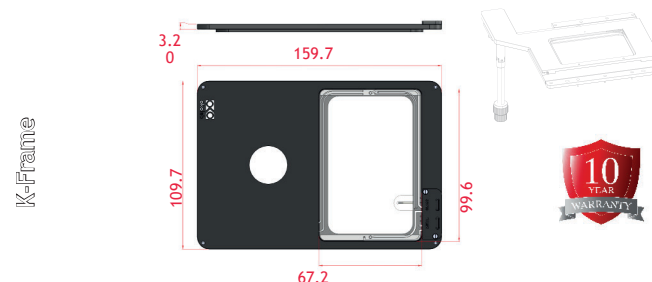
Warm ITO glass plate for Prior H117 stage

Features:

- Compatible with Prior H117 stage
- ITO (Iridium Tin Oxide) coated glass plate. Fits in the opening of the XY stage and creates a surface recessed by 8.5 mm with respect to the rest of the XY stage rising the focal plane by 1.5 mm
- Dragontrail®: Chemically strengthened, scratch resistant, glass
- Aluminium frame for superior resistance and flatness
- Glass thickness 0.5 mm

Requires one of the following controllers:

- H401-T-CONTROLLER
- H401-T-PENNY



H601-K-FRAME-METAL/GLASS

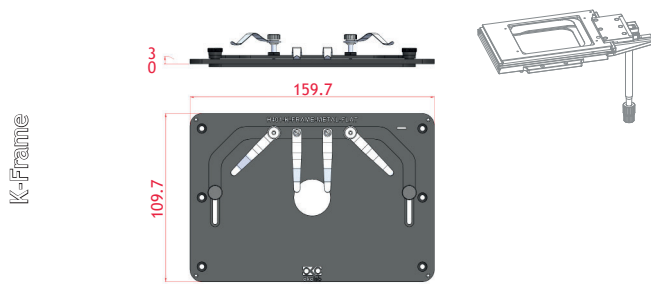
Warm metal and ITO glass plate for Marzhauser (all models), Ludl (all models), ASI (all models, including z-piezo), Prior H107 and H117

Features:

- Compatible with the following XY stages: Marzhauser (all models), Ludl (all models), ASI (all models, including z-piezo), Prior H107 and H117
- Fits in the opening of the XY stage and creates a flat temperature controlled surface rising the focal plane by 7.5 mm (10 mm for Prior H117)
- Glass thickness 0.5 mm
- Dragontrail®: Chemically strengthened, scratch resistant, glass
- Trimmed 24 mm diameter circular observation opening for imaging
- Compatible with oil immersion lenses
- Metal and glass sides have independent temperature sensors for independent temperature control of each side

Requires one of the following controllers:

- H401-T-CONTROLLER (one controller controls the glass the other controls the aluminium)
- H401-T-PENNY



H401-K-FRAME-METAL-FLAT

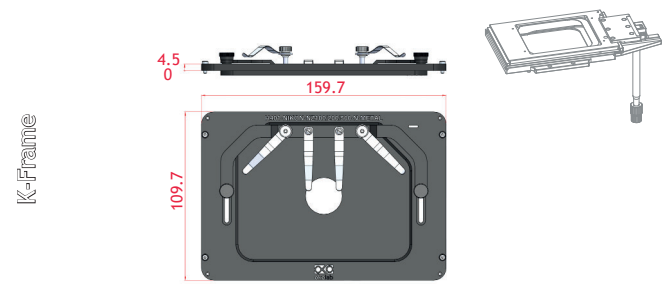
Warm metal plate for Marzhauser (all models), Ludl (all models), ASI (all models, including z-piezo), Prior H107 and H117

Features:

- Compatible with the following XY stages: Marzhauser (all models), Ludl (all models), ASI (all models, including z-piezo), Prior H107 and H117
- Fits in the opening of the XY stage and creates a flat temperature controlled surface at the same height of the rest of the XY stage
- Trimmed 24 mm diameter circular observation opening for imaging
- Compatible with oil immersion lenses

Requires one of the following controllers:

- H401-T-CONTROLLER
- H401-PENNY



H401-K-FRAME-METAL-RECESSED

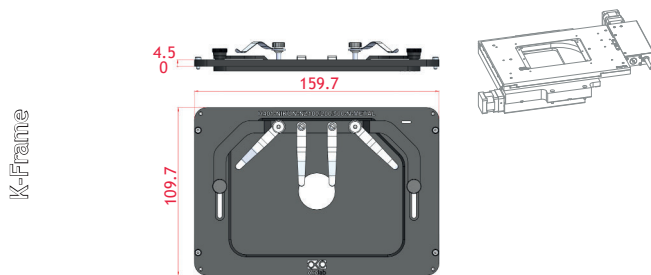
Warm metal plate for Marzhauser (all models), Ludl (all models), ASI (all models, including z-piezo), Prior H107

Features:

- Compatible with the following XY stages: Marzhauser (all models), Ludl (all models), ASI (all models, including z-piezo), Prior H107
- Fits in the opening of the XY stage and creates a temperature controlled surface recessed with respect to the rest of the stage to maintain the original focal plane of the XY stage
- Trimmed 24 mm diameter circular observation opening for imaging
- Compatible with oil immersion lenses

Requires one of the following controllers:

- H401-T-CONTROLLER
- H401-PENNY



H401-PRIOR H117-METAL-RECESSED

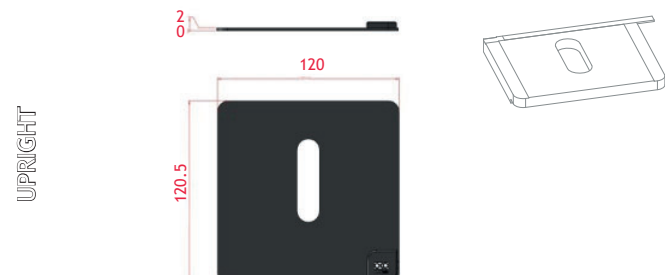
Warm metal plate for Prior H117 stage

Features:

- Compatible with Prior H117 stage
- Fits in the opening of the XY stage and creates a temperature controlled surface recessed with respect to the rest of the stage to maintain the original focal plane of the XY stage
- Trimmed 24 mm diameter circular observation opening for imaging
- Compatible with oil immersion lenses

Requires one of the following controllers:

- H401-T-CONTROLLER
- H401-PENNY



H401-UP-METAL

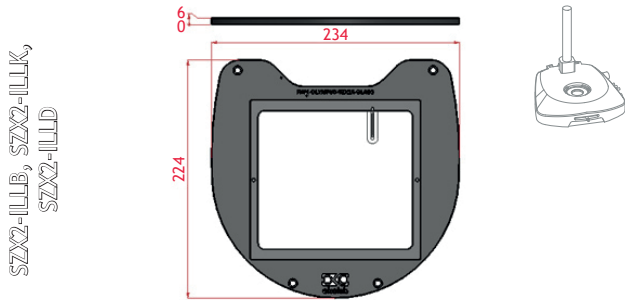
Warm metal plate for upright microscopes with glass slide traslators

Features:

- Compatible with all the upright microscopes equipped with glass slide traslators
- Realizes a warm surface under the glass slide trasalator
- Features a 40x15 mm rectangular opening for imaging

Requires one of the following controllers:

- H401-T-CONTROLLER
- H401-PENNY



H401-OLYMPUS-SZX2A-GLASS

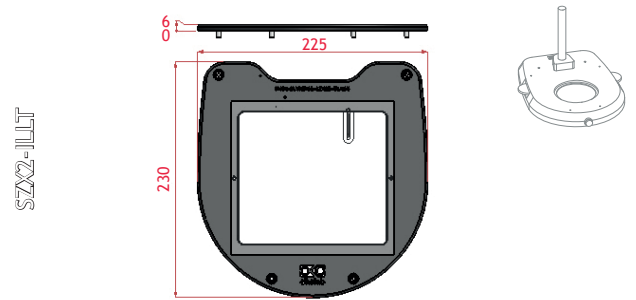
Warm ITO glass plate for stereo microscope's stand: SZX2-ILLB, SZX2-ILLK, SZX2-ILLD

Features:

- Compatible with the following stereo microscope's stand: SZX2-ILLB, SZX2-ILLK, SZX2-ILLD
- ITO (Iridium Tin Oxide) coated glass plate covers the entire stand and creates a flat warm surface
- Aluminium frame for superior resistance and flatness
- Glass thickness 1 mm

Requires one of the following controllers:

- H401-T-CONTROLLER
- H401-PENNY



H401-OLYMPUS-SZX2B-GLASS

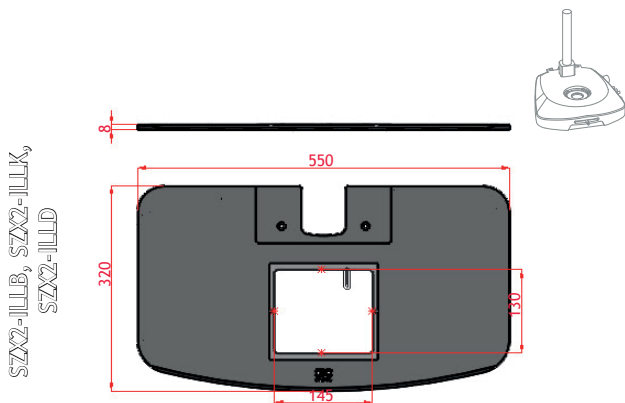
Warm ITO glass plate for stereo microscope's stand: SZX2-ILLT

Features:

- Compatible with the following stereo microscope's stand: SZX2-ILLT
- ITO (Iridium Tin Oxide) coated glass plate covers the entire stand and creates a flat warm surface
- Aluminium frame for superior resistance and flatness
- Glass thickness 1 mm

Requires one of the following controllers:

- H401-T-CONTROLLER
- H401-PENNY



H401-OLYMPUS-SZX2A-GLASS/METAL

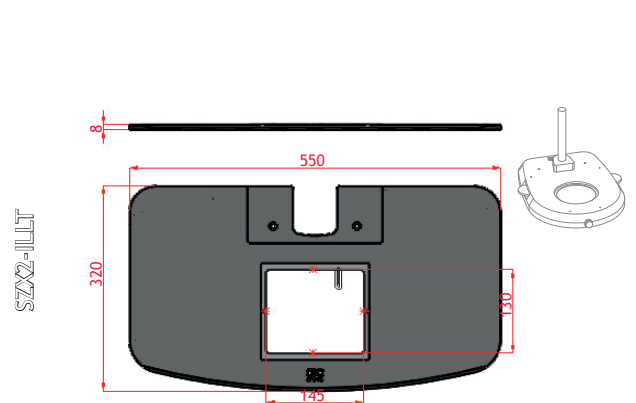
Large metal heating plate with central heating glass for Olympus stereo microscope MVX and SZX

Features:

- Compatible with the following stereo microscope's stand: SZX2-ILLB, SZX2-ILLK, SZX2-ILLD
- Large flat heating surface covering the entire stereo microscope stand
- Metal and glass surfaces can be independently heated to different temperatures
- Glass thickness: 1 mm

Requires one of the following controllers:

- H401-T-CONTROLLER (uses both channels)



H401-OLYMPUS-SZX2B-GLASS/METAL

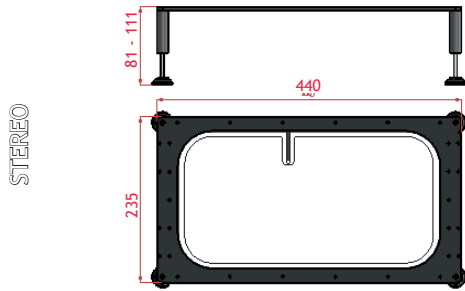
Large metal heating plate with central heating glass for Olympus stereo microscope MVX and SZX

Features:

- Compatible with the following stereo microscope's stand: SZX2-ILLT
- Large flat heating surface covering the entire stereo microscope stand
- Metal and glass surfaces can be independently heated to different temperatures
- Glass thickness: 1 mm

Requires one of the following controllers:

- H401-T-CONTROLLER (uses both channels)



H401-GLASS-TABLE

Heated Flat Glass Table

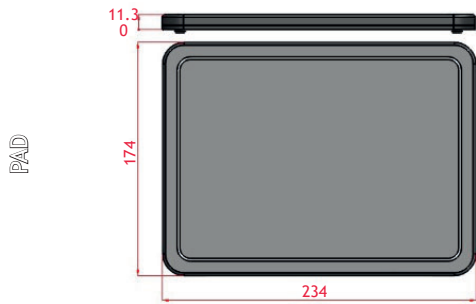
- (440x235 mm)

Features:

- Can be positioned on any surface (Table Top, Cabinet work surface, etc) to create a temperature controlled area
- Temperature range: 27°C - 45°C

Requires one of the following controllers:

- H401-T-CONTROLLER
- H401-PENNY



H401-T-PAD-SMALL

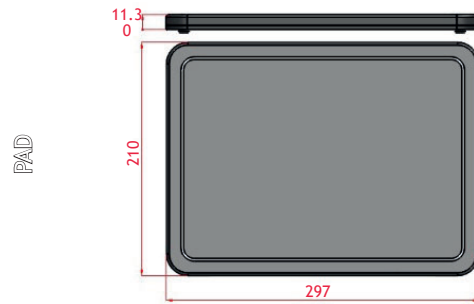
Heated Flat Metal Plate - (174x234 mm)

Features:

- Can be positioned on any surface (Table Top, Cabinet work surface, etc) to create a temperature controlled area
- Temperature range: 27°C - 45°C

Requires one of the following controllers:

- H401-T-CONTROLLER
- H401-PENNY



H401-T-PAD-MEDIUM

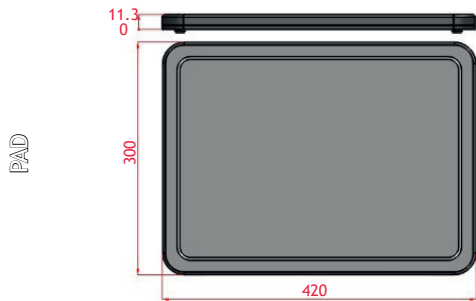
Heated Flat Metal Plate - size A4 (297x210 mm)

Features:

- Can be positioned on any surface (Table Top, Cabinet work surface, etc) to create a temperature controlled area
- Temperature range: 27°C - 45°C

Requires one of the following controllers:

- H401-T-CONTROLLER
- H401-PENNY



H401-T-PAD-LARGE

Heated Flat Metal Plate - size A3 (420x300 mm)

Features:

- Can be positioned on any surface (Table Top, Cabinet work surface, etc) to create a temperature controlled area
- Temperature range: 27°C - 45°C

Requires one of the following controllers:

- H401-T-CONTROLLER
- H401-PENNY



H601-K-FRAME-GLASS-FLAT

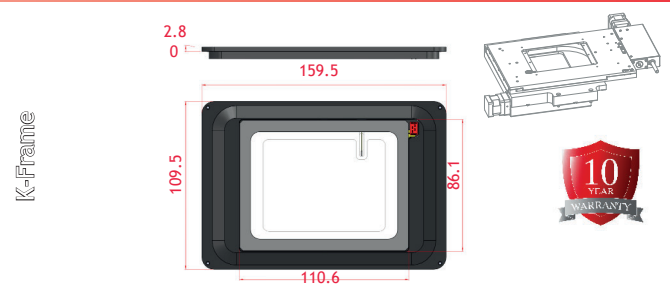
Warm ITO glass plate for Marzhauser (all models), Ludl (all models), ASI (all models, including z-piezo), Prior H107 and H117

Features:

- Compatible with the following XY stages: Marzhauser (all models), Ludl (all models), ASI (all models, including z-piezo), Prior H107 and H117
- ITO (Iridium Tin Oxide) coated glass plate. Fits in the opening of the XY stage and creates a flat temperature controlled surface rising the focal plane by 7.5 mm (10 mm for Prior H117)
- Dragontrail®: Chemically strengthened, scratch resistant, glass.
- Aluminium frame for superior resistance and flatness
- Glass thickness 0.5 mm

Requires one of the following controllers:

- H401-T-CONTROLLER
- H401-T-PENNY



H601-K-FRAME-GLASS-RECESSED

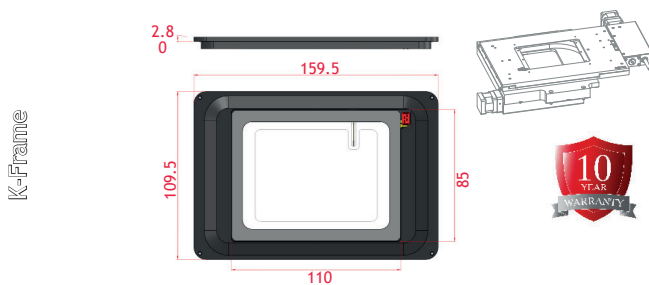
Warm metal plate for Marzhauser (all models), Ludl (all models), ASI (all models, including z-piezo), Prior H107

Features:

- Compatible with the following XY stages: Marzhauser (all models), Ludl (all models), ASI (all models, including z-piezo), Prior H107
- ITO (Iridium Tin Oxide) coated glass plate. Fits in the opening of the XY stage and creates a surface recessed by 6 mm with respect to the rest of the XY stage rising the focal plane by 1.5 mm
- Dragontrail®: Chemically strengthened, scratch resistant, glass
- Aluminium frame for superior resistance and flatness
- Glass thickness 0.5 mm

Requires one of the following controllers:

- H401-T-CONTROLLER
- H401-T-PENNY



H601-PRIOR H117-GLASS-RECESSED

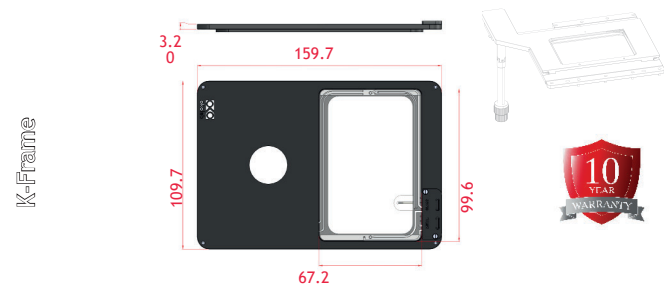
Warm ITO glass plate for Prior H117 stage

Features:

- Compatible with Prior H117 stage
- ITO (Iridium Tin Oxide) coated glass plate. Fits in the opening of the XY stage and creates a surface recessed by 8.5 mm with respect to the rest of the XY stage rising the focal plane by 1.5 mm
- Dragontrail®: Chemically strengthened, scratch resistant, glass
- Aluminium frame for superior resistance and flatness
- Glass thickness 0.5 mm

Requires one of the following controllers:

- H401-T-CONTROLLER
- H401-T-PENNY



H601-K-FRAME-METAL/GLASS

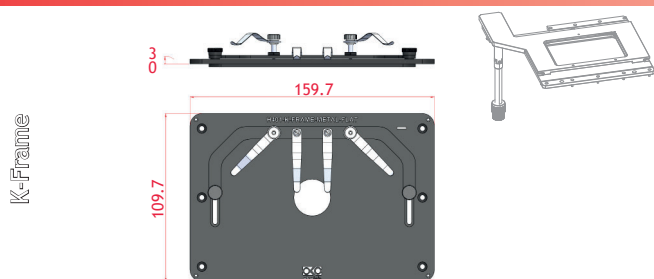
Warm metal and ITO glass plate for Marzhauser (all models), Ludl (all models), ASI (all models, including z-piezo), Prior H107 and H117

Features:

- Compatible with the following XY stages: Marzhauser (all models), Ludl (all models), ASI (all models, including z-piezo), Prior H107 and H117
- Fits in the opening of the XY stage and creates a flat temperature controlled surface rising the focal plane by 7.5 mm (10 mm for Prior H117)
- Glass thickness 0.5 mm
- Dragontrail®: Chemically strengthened, scratch resistant, glass
- Trimmed 24 mm diameter circular observation opening for imaging
- Compatible with oil immersion lenses
- Metal and glass sides have independent temperature sensors for independent temperature control of each side

Requires one of the following controllers:

- H401-T-CONTROLLER (one controller controls the glass the other controls the aluminium)
- H401-T-PENNY



H401-K-FRAME-METAL-FLAT

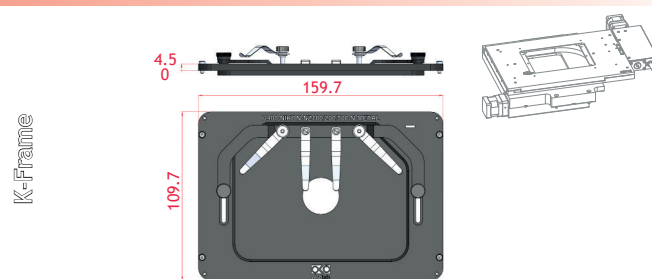
Warm metal plate for Marzhauser (all models), Ludl (all models), ASI (all models, including z-piezo), Prior H107 and H117

Features:

- Compatible with the following XY stages: Marzhauser (all models), Ludl (all models), ASI (all models, including z-piezo), Prior H107 and H117
- Fits in the opening of the XY stage and creates a flat temperature controlled surface at the same height of the rest of the XY stage
- Trimmed 24 mm diameter circular observation opening for imaging
- Compatible with oil immersion lenses

Requires one of the following controllers:

- H401-T-CONTROLLER
- H401-PENNY



H401-K-FRAME-METAL-RECESSED

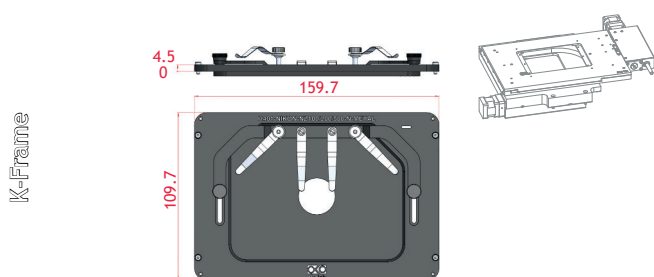
Warm metal plate for Marzhauser (all models), Ludl (all models), ASI (all models, including z-piezo), Prior H107

Features:

- Compatible with the following XY stages: Marzhauser (all models), Ludl (all models), ASI (all models, including z-piezo), Prior H107
- Fits in the opening of the XY stage and creates a temperature controlled surface recessed with respect to the rest of the stage to maintain the original focal plane of the XY stage
- Trimmed 24 mm diameter circular observation opening for imaging
- Compatible with oil immersion lenses

Requires one of the following controllers:

- H401-T-CONTROLLER
- H401-PENNY



H401-PRIOR H117-METAL-RECESSED

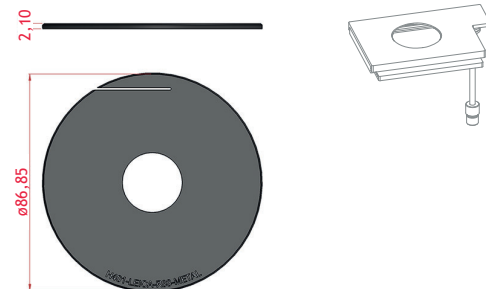
Warm metal plate for Prior H117 stage

Features:

- Compatible with Prior H117 stage
- Fits in the opening of the XY stage and creates a temperature controlled surface recessed with respect to the rest of the stage to maintain the original focal plane of the XY stage
- Trimmed 24 mm diameter circular observation opening for imaging
- Compatible with oil immersion lenses

Requires one of the following controllers:

- H401-T-CONTROLLER
- H401-PENNY



H401-LEICA-R88-METAL

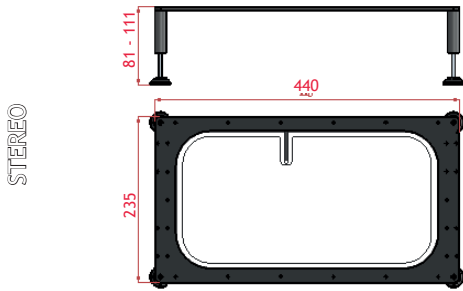
Warm metal plate for Leica stages with circular opening
Flat - 88 mm diameter

Features:

- Fits in the circular opening of the XY stage and creates a flat temperature controlled surface, flush with the rest of the XY stage
- Trimmed 24 mm diameter circular observation opening for imaging
- Compatible with oil immersion lenses
- Plate diameter 88 mm

Requires one of the following controllers:

- H401-T-CONTROLLER
- H401-PENNY



H401-GLASS-TABLE

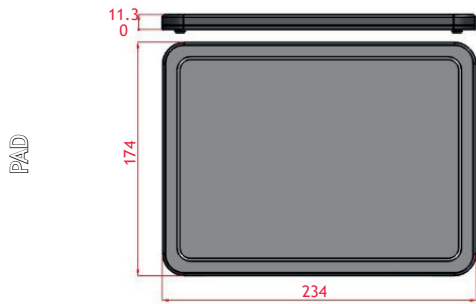
Heated Flat Glass Table
- (440x235 mm)

Features:

- Can be positioned on any surface (Table Top, Cabinet work surface, etc) to create a temperature controlled area
- Temperature range: 27°C - 45°C

Requires one of the following controllers:

- H401-T-CONTROLLER
- H401-PENNY



H401-T-PAD-SMALL

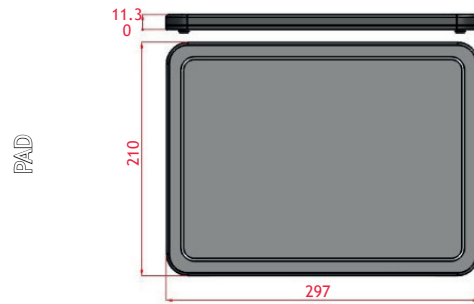
Heated Flat Metal Plate - (174x234 mm)

Features:

- Can be positioned on any surface (Table Top, Cabinet work surface, etc) to create a temperature controlled area
- Temperature range: 27°C - 45°C

Requires one of the following controllers:

- H401-T-CONTROLLER
- H401-PENNY



H401-T-PAD-MEDIUM

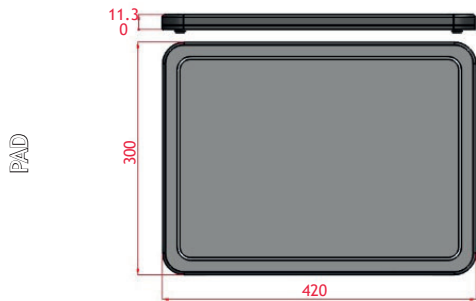
Heated Flat Metal Plate - size A4 (297x210 mm)

Features:

- Can be positioned on any surface (Table Top, Cabinet work surface, etc) to create a temperature controlled area
- Temperature range: 27°C - 45°C

Requires one of the following controllers:

- H401-T-CONTROLLER
- H401-PENNY



H401-T-PAD-LARGE

Heated Flat Metal Plate - size A3 (420x300 mm)

Features:

- Can be positioned on any surface (Table Top, Cabinet work surface, etc) to create a temperature controlled area
- Temperature range: 27°C - 45°C

Requires one of the following controllers:

- H401-T-CONTROLLER
- H401-PENNY



H601-K-FRAME-GLASS-FLAT

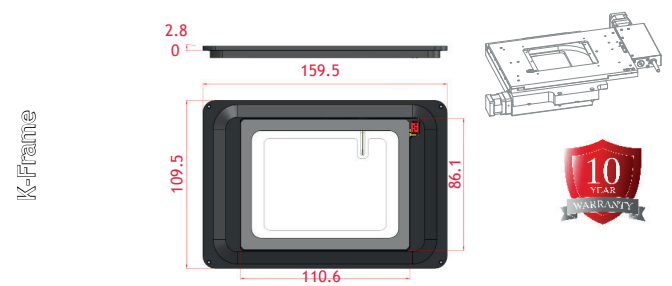
Warm ITO glass plate for Marzhauser (all models), Ludl (all models), ASI (all models, including z-piezo), Prior H107 and H117

Features:

- Compatible with the following XY stages: Marzhauser (all models), Ludl (all models), ASI (all models, including z-piezo), Prior H107 and H117
- ITO (Iridium Tin Oxide) coated glass plate. Fits in the opening of the XY stage and creates a flat temperature controlled surface rising the focal plane by 7.5 mm (10 mm for Prior H117)
- Dragontrail®: Chemically strengthened, scratch resistant, glass.
- Aluminium frame for superior resistance and flatness
- Glass thickness 0.5 mm

Requires one of the following controllers:

- H401-T-CONTROLLER
- H401-T-PENNY



H601-K-FRAME-GLASS-RECESSED

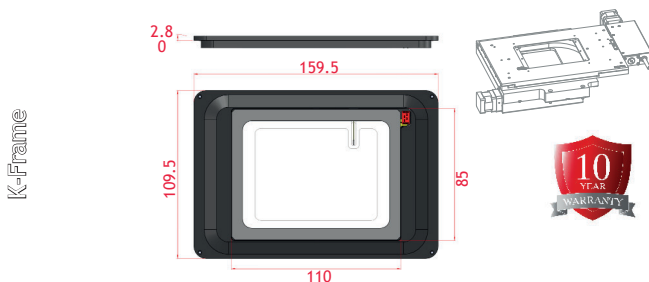
Warm metal plate for Marzhauser (all models), Ludl (all models), ASI (all models, including z-piezo), Prior H107

Features:

- Compatible with the following XY stages: Marzhauser (all models), Ludl (all models), ASI (all models, including z-piezo), Prior H107
- ITO (Iridium Tin Oxide) coated glass plate. Fits in the opening of the XY stage and creates a surface recessed by 6 mm with respect to the rest of the XY stage rising the focal plane by 1.5 mm
- Dragontrail®: Chemically strengthened, scratch resistant, glass
- Aluminium frame for superior resistance and flatness
- Glass thickness 0.5 mm

Requires one of the following controllers:

- H401-T-CONTROLLER
- H401-T-PENNY



H601-PRIOR H117-GLASS-RECESSED

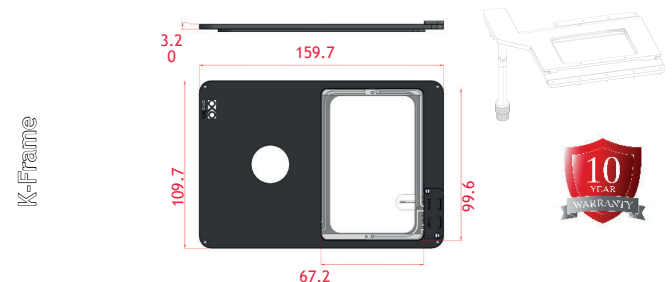
Warm ITO glass plate for Prior H117 stage

Features:

- Compatible with Prior H117 stage
- ITO (Iridium Tin Oxide) coated glass plate. Fits in the opening of the XY stage and creates a surface recessed by 8.5 mm with respect to the rest of the XY stage rising the focal plane by 1.5 mm
- Dragontrail®: Chemically strengthened, scratch resistant, glass
- Aluminium frame for superior resistance and flatness
- Glass thickness 0.5 mm

Requires one of the following controllers:

- H401-T-CONTROLLER
- H401-T-PENNY



H601-K-FRAME-METAL/GLASS

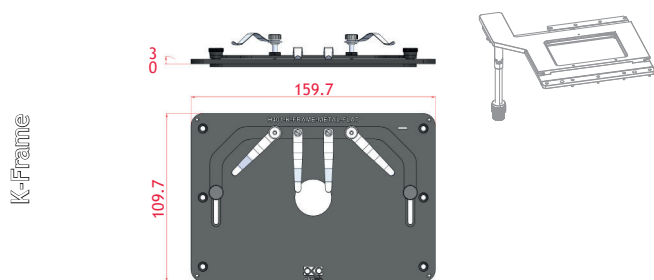
Warm metal and ITO glass plate for Marzhauser (all models), Ludl (all models), ASI (all models, including z-piezo), Prior H107 and H117

Features:

- Compatible with the following XY stages: Marzhauser (all models), Ludl (all models), ASI (all models, including z-piezo), Prior H107 and H117
- Fits in the opening of the XY stage and creates a flat temperature controlled surface rising the focal plane by 7.5 mm (10 mm for Prior H117)
- Glass thickness 0.5 mm
- Dragontrail®: Chemically strengthened, scratch resistant, glass
- Trimmed 24 mm diameter circular observation opening for imaging
- Compatible with oil immersion lenses
- Metal and glass sides have independent temperature sensors for independent temperature control of each side

Requires one of the following controllers:

- H401-T-CONTROLLER (one controller controls the glass the other controls the aluminium)
- H401-T-PENNY



H401-K-FRAME-METAL-FLAT

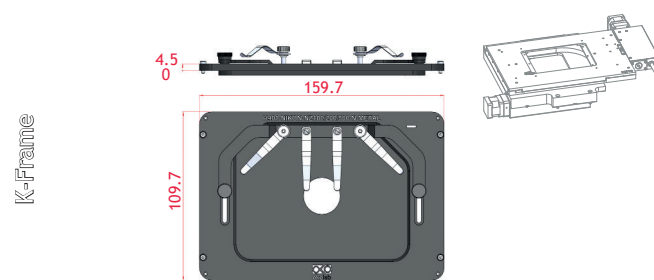
Warm metal plate for Marzhauser (all models), Ludl (all models), ASI (all models, including z-piezo), Prior H107 and H117

Features:

- Compatible with the following XY stages: Marzhauser (all models), Ludl (all models), ASI (all models, including z-piezo), Prior H107 and H117
- Fits in the opening of the XY stage and creates a flat temperature controlled surface at the same height of the rest of the XY stage
- Trimmed 24 mm diameter circular observation opening for imaging
- Compatible with oil immersion lenses

Requires one of the following controllers:

- H401-T-CONTROLLER
- H401-PENNY



H401-K-FRAME-METAL-RECESSED

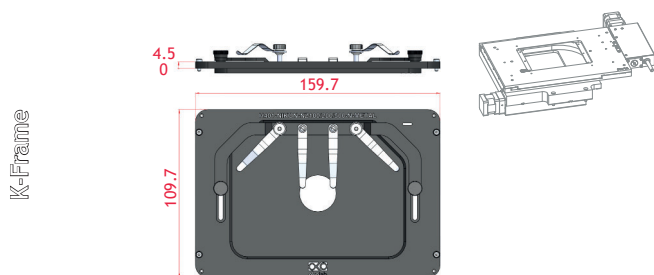
Warm metal plate for Marzhauser (all models), Ludl (all models), ASI (all models, including z-piezo), Prior H107

Features:

- Compatible with the following XY stages: Marzhauser (all models), Ludl (all models), ASI (all models, including z-piezo), Prior H107
- Fits in the opening of the XY stage and creates a temperature controlled surface recessed with respect to the rest of the stage to maintain the original focal plane of the XY stage
- Trimmed 24 mm diameter circular observation opening for imaging
- Compatible with oil immersion lenses

Requires one of the following controllers:

- H401-T-CONTROLLER
- H401-PENNY



H401-PRIOR H117-METAL-RECESSED

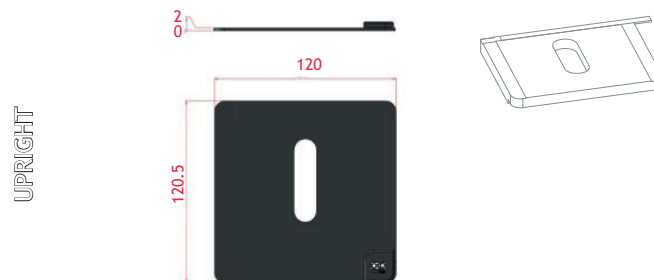
Warm metal plate for Prior H117 stage

Features:

- Compatible with Prior H117 stage
- Fits in the opening of the XY stage and creates a temperature controlled surface recessed with respect to the rest of the stage to maintain the original focal plane of the XY stage
- Trimmed 24 mm diameter circular observation opening for imaging
- Compatible with oil immersion lenses

Requires one of the following controllers:

- H401-T-CONTROLLER
- H401-PENNY



H401-UP-METAL

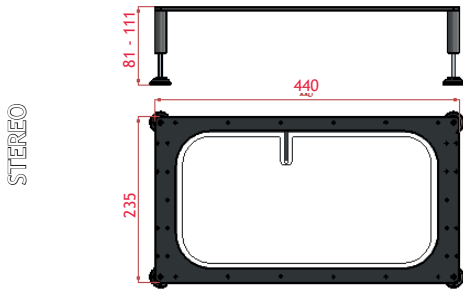
Warm metal plate for upright microscopes with glass slide translators

Features:

- Compatible with all the upright microscopes equipped with glass slide translators
- Creates a heated surface under the glass slide translator
- Features a 40x15 mm rectangular opening for imaging

Requires one of the following controllers:

- H401-T-CONTROLLER
- H401-PENNY



H401-GLASS-TABLE

Heated Flat Glass Table

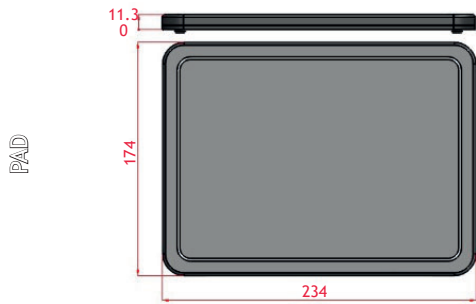
- (440x235 mm)

Features:

- Can be positioned on any surface (Table Top, Cabinet work surface, etc) to create a temperature controlled area
- Temperature range: 27°C - 45°C

Requires one of the following controllers:

- H401-T-CONTROLLER
- H401-PENNY



H401-T-PAD-SMALL

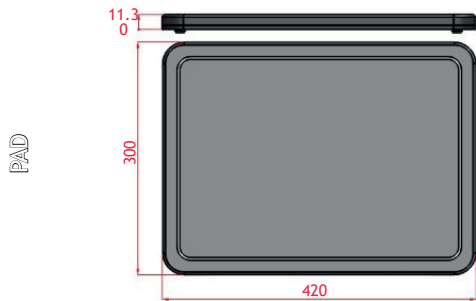
Heated Flat Metal Plate - (174x234 mm)

Features:

- Can be positioned on any surface (Table Top, Cabinet work surface, etc) to create a temperature controlled area
- Temperature range: 27°C - 45°C

Requires one of the following controllers:

- H401-T-CONTROLLER
- H401-PENNY



H401-T-PAD-LARGE

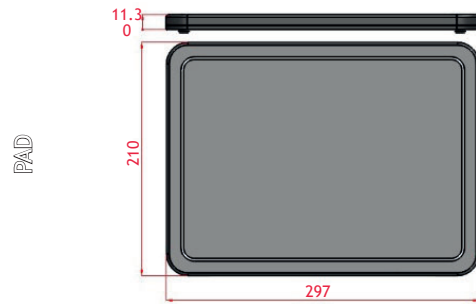
Heated Flat Metal Plate - size A3 (420x300 mm)

Features:

- Can be positioned on any surface (Table Top, Cabinet work surface, etc) to create a temperature controlled area
- Temperature range: 27°C - 45°C

Requires one of the following controllers:

- H401-T-CONTROLLER
- H401-PENNY



H401-T-PAD-MEDIUM

Heated Flat Metal Plate - size A4 (297x210 mm)

Features:

- Can be positioned on any surface (Table Top, Cabinet work surface, etc) to create a temperature controlled area
- Temperature range: 27°C - 45°C

Requires one of the following controllers:

- H401-T-CONTROLLER
- H401-PENNY